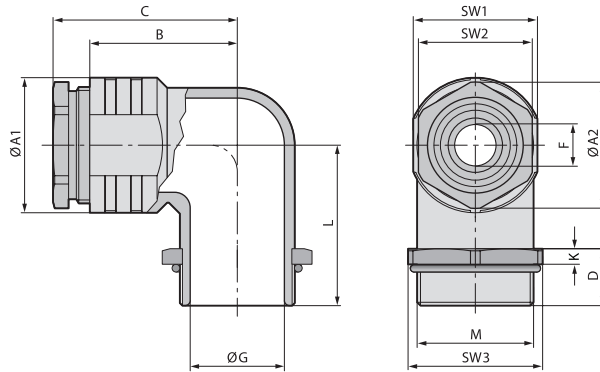


SKINDICHT® RWV-M



SKINDICHT® RWV-M

Benefits

- Strain relief
- Sealed by incised sealing ring
- Corrosion resistant
- Decrease of installation height
- Sea water resistant

Application range

- Angle glands are used wherever cables have to run in parallel to the housing wall.
- Drives
- Machine and apparatus construction
- Plant engineering
- Light and sound applications

Approvals (Norm references)



Design

- Metric connection thread acc. to EN 50262

Note

- Counter nut to be used SKINDICHT® SM-M

Technical data

- Material**
Body: Zinc die casting, nickel plated
Compression screw / hexagon nut: nickel plated brass
Incised sealing ring: CR/NBR
O-ring: NBR
- Degree of protection**
IP 55
- Range of temperature**
-20°C up to +100°C

Part number	Part designation / size	Clamping range ØF mm	L	SW1	Ø A1	SW2	Ø A2	Ø G	Height mm	Overall length C mm	Thread length D mm	SW3	Pieces / PU
SKINDICHT® RWV-M													
52107800	12 x 1,5	5	20.5	14	16	12	13.2	8	5	26.1	11.5	17	25
52107810	16 x 1,5	9 - 3	23.5	18	20	16	17.6	12	5	28.6	11.5	22	25
52107820	20 x 1,5	13 - 4	28.5	22	24	20	22.2	15	5	35.1	12.5	27	25
52107830	25 x 1,5	17.5 - 8.5	31.0	27	29	25	27.5	20	5	38.1	13.5	32	10
52107840	32 x 1,5	25 - 16	36.0	34	36	32	35.2	27	5	44.6	13.5	41	10
52107850	40 x 1,5	32 - 23	45.0	42	45	40	43.5	35	5	53.1	15.5	46	5